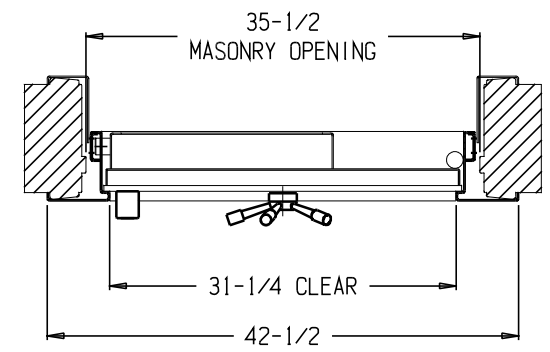
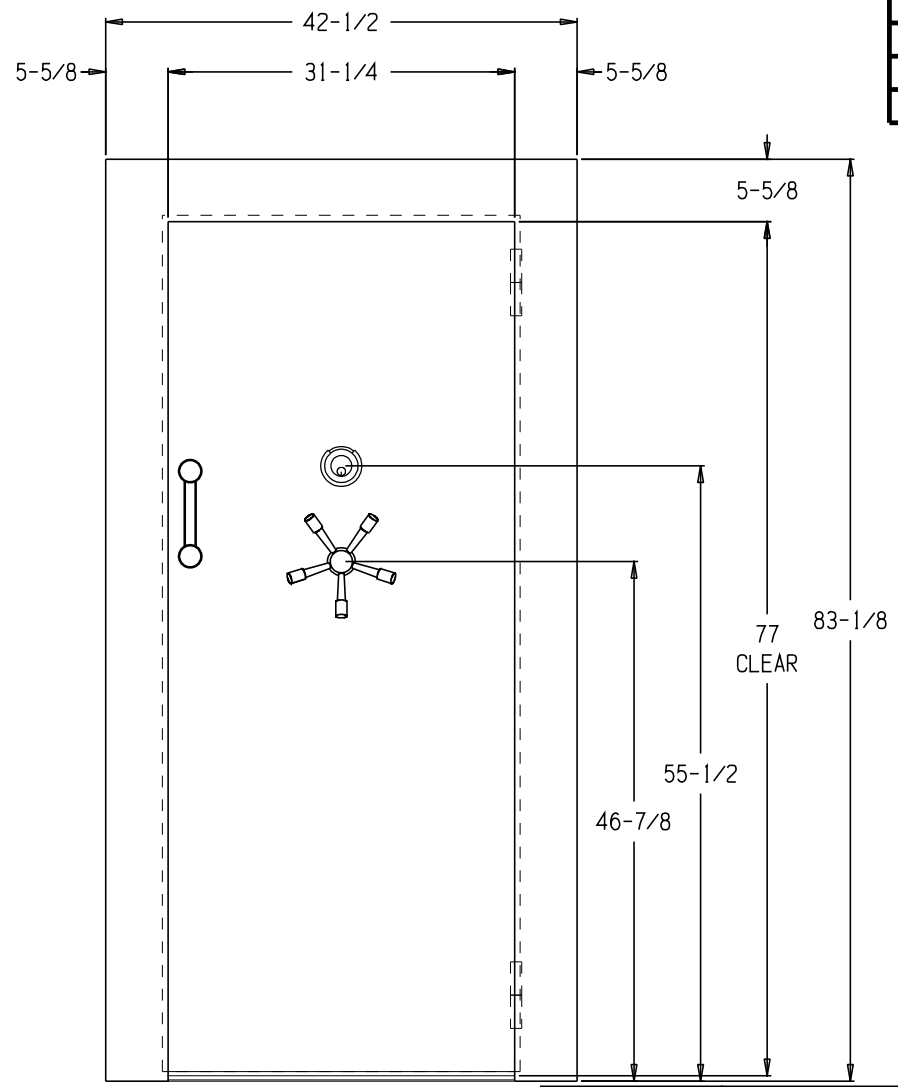
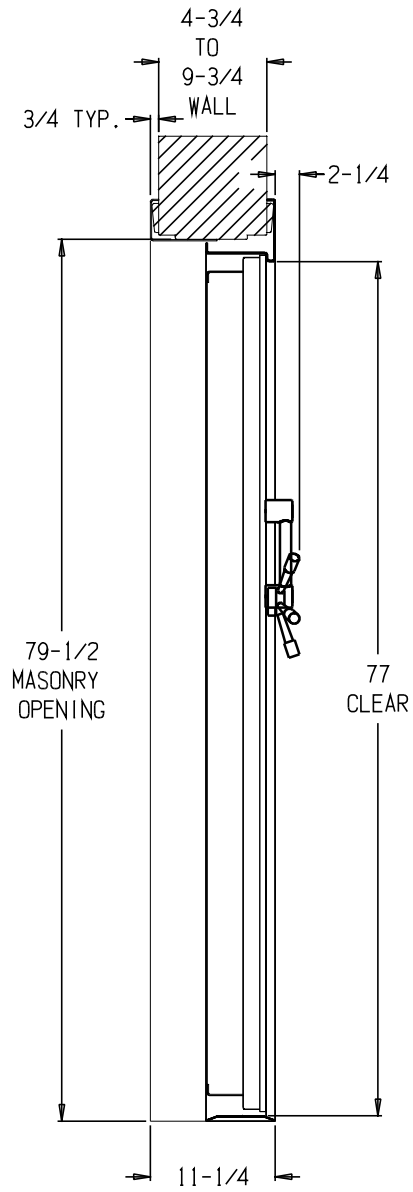
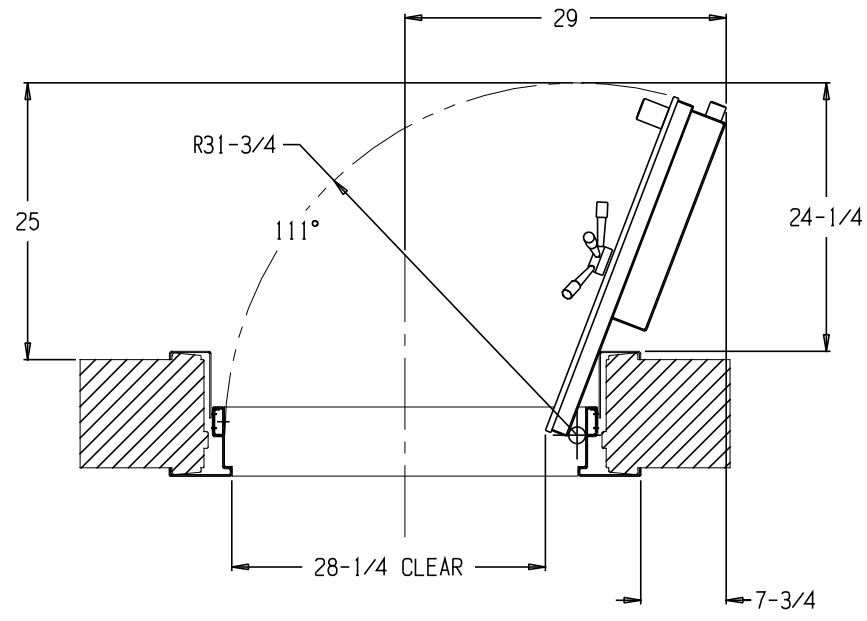


REVISIONS			
REV	DESCRIPTION	DATE	BY
A	ADDED ADDITIONAL CLEAR WIDTH DIMENSION	12 DEC 11	R.F.T.
B	UPDATED HINGES	20 AUG 12	R.F.T.
C	ADDED CONSTRUCTION DETAILS	18 OCT 12	R.F.T.

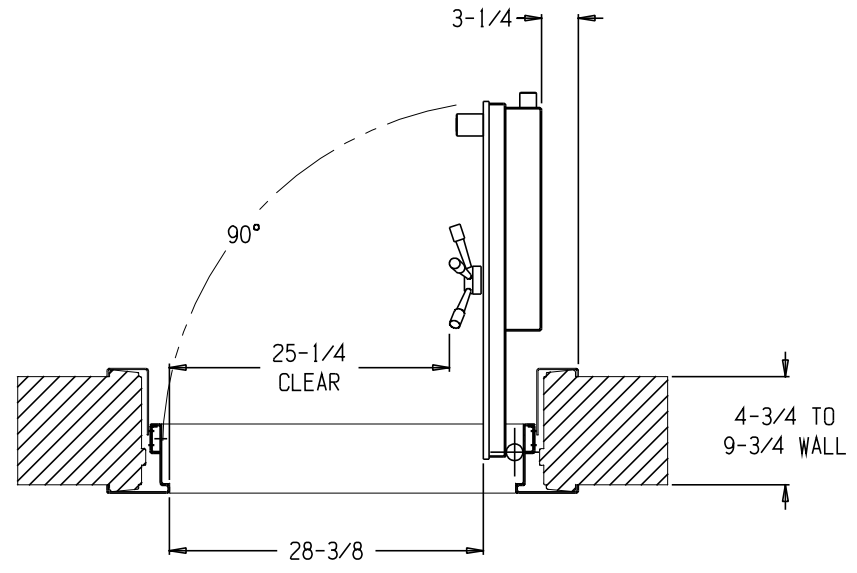


CUSTOMER SIGNATURE		AMSEC AMERICAN SECURITY PRODUCTS COMPANY
CUSTOMER NAME		
DATE		
COMPANY NAME		VD8036BFIS Vault Door
PROPRIETARY INFORMATION UNAUTHORIZED RELEASE WITHOUT EXPRESS WRITTEN PERMISSION OF AMERICAN SECURITY PRODUCTS CO EXPRESSLY PROHIBITED	ML #	B Q #
	SK2011-510	C
DRAWN R. Tucker	27 SEP 11	SCALE 1/12 DO NOT SCALE DWG SHEET 1 OF 3

REVISIONS			
REV	DESCRIPTION	DATE	BY
A	ADDED ADDITIONAL CLEAR WIDTH DIMENSION	12 DEC 11	R.F.T.
B	UPDATED HINGES	20 AUG 12	R.F.T.
C	ADDED CONSTRUCTION DETAILS	18 OCT 12	R.F.T.



PLAN VIEW SECTION
111° DOOR



PLAN VIEW SECTION
90° DOOR

CUSTOMER SIGNATURE		AMSEC AMERICAN SECURITY PRODUCTS COMPANY	
CUSTOMER NAME			
DATE		VD8036BFIS Vault Door	
COMPANY NAME			
PROPRIETARY INFORMATION UNAUTHORIZED RELEASE WITHOUT EXPRESS WRITTEN PERMISSION OF AMERICAN SECURITY PRODUCTS CO EXPRESSLY PROHIBITED	ML #	B Q #	SK2011-510 C
DRAWN R. Tucker	27 SEP 11	SCALE 1/12	DO NOT SCALE DWG SHEET 2 OF 3

REVISIONS			
REV	DESCRIPTION	DATE	BY
A	ADDED ADDITIONAL CLEAR WIDTH DIMENSION	12 DEC 11	R.F.T.
B	UPDATED HINGES	20 AUG 12	R.F.T.
C	ADDED CONSTRUCTION DETAILS	18 OCT 12	R.F.T.

SPECIFICATIONS

- Door, Clear Opening: 77 H x 28-3/8 W at 90° Door Swing (25-1/4 W at Handle). 2" Thick Door Constructed with a 1/2" Thick Steel Outer Plate, and a Steel Inner Plate Filled with Fire Insulating Material. Equipped with a UL Listed Three-Wheel Key-Change Combination Lock with Spy-Proof Key-Locking Dial, Pull Handle, 5-Spoke Handle, Relocking Devices, an Inside Release Mechanism, and Five (5) 1-1/2" Dia. Chrome-Plated Locking Bolts. Lock Protected by a Drill-Resistant Hardplate.
- Wall Opening: 79-1/2 H x 35-1/2 W.
- Wall Thickness Variation: 4-3/4 to 9-3/4.
- Approx Weights: Door: 612 lbs.
Frame, Main: 111 lbs.
Frame, Rear: 69 lbs. Total Weight: 792

CUSTOMER SIGNATURE		AMSEC AMERICAN SECURITY PRODUCTS COMPANY		
CUSTOMER NAME				
DATE		VD8036BFIS Vault Door		
COMPANY NAME				
<small>PROPRIETARY INFORMATION UNAUTHORIZED RELEASE WITHOUT EXPRESS WRITTEN PERMISSION OF AMERICAN SECURITY PRODUCTS CO EXPRESSLY PROHIBITED</small>	ML #	B Q #	SK2011-510	C
	DRAWN R. Tucker	27 SEP 11	SCALE 1/12	DO NOT SCALE DWG